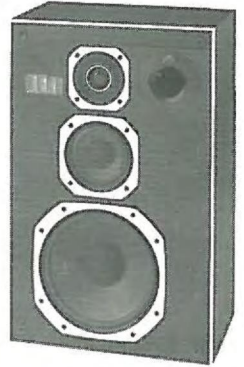
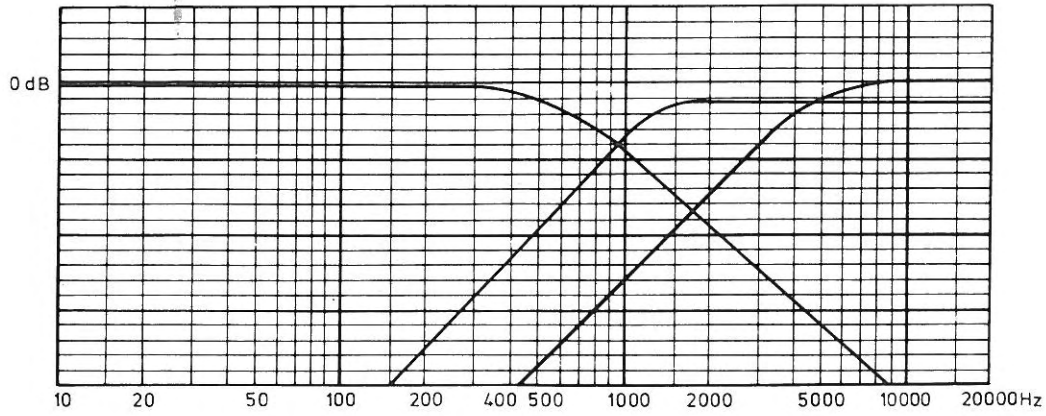


Service
Service
Service

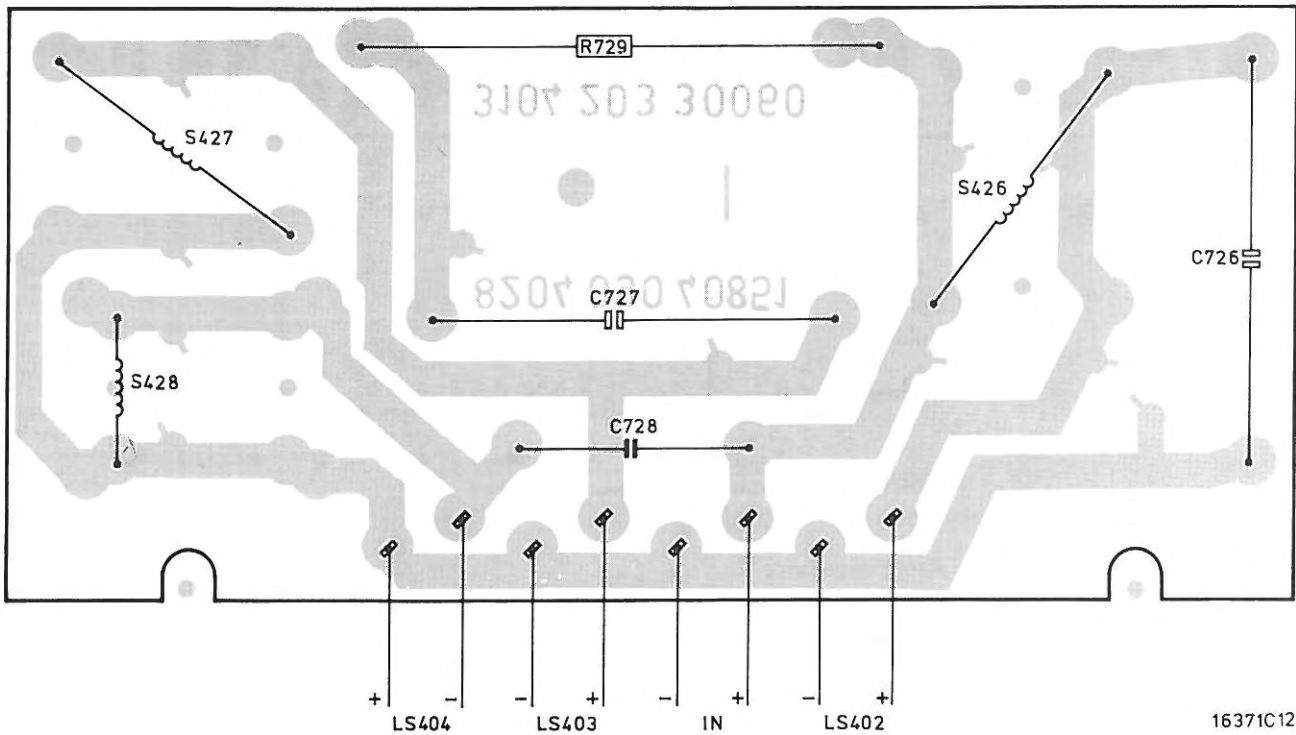


Service Manual

Volume Volume	34 l
Dimensions Dimensions	355x560x248 mm
Weight Poids	11 kg
Rated impedance Impédance nominale	8 Ω
Power handling capacity Capacité de charge	60 W
Cross-over frequencies Fréquences de convergence	950 Hz/5000 Hz
Resonance frequency Fréquence de résonance	16-65 Hz
Frequency range Réponse de fréquence	35-20.000 Hz
Slope: High-pass Band-pass Low-pass Pente: Passe-haut Passe-bande Passe-bas	12 dB/oct.



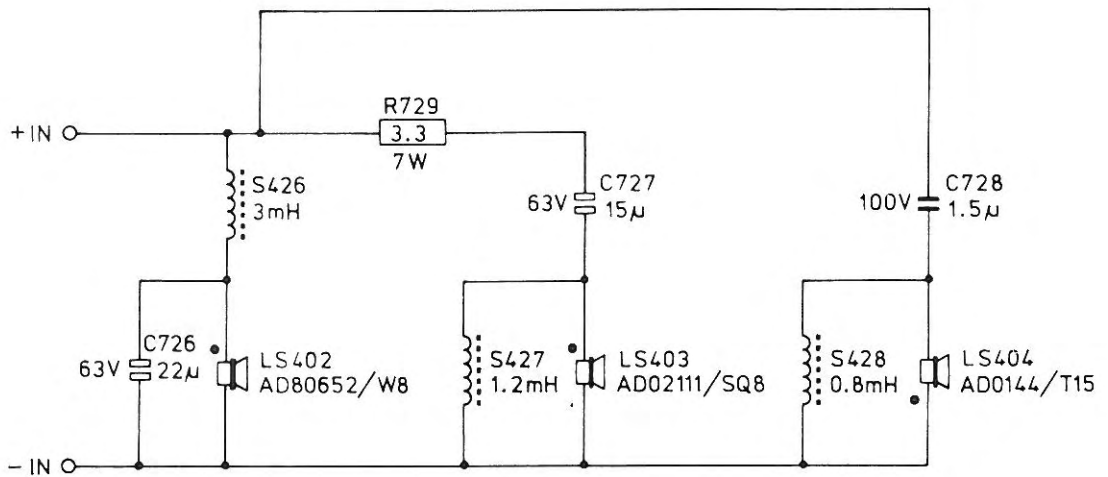
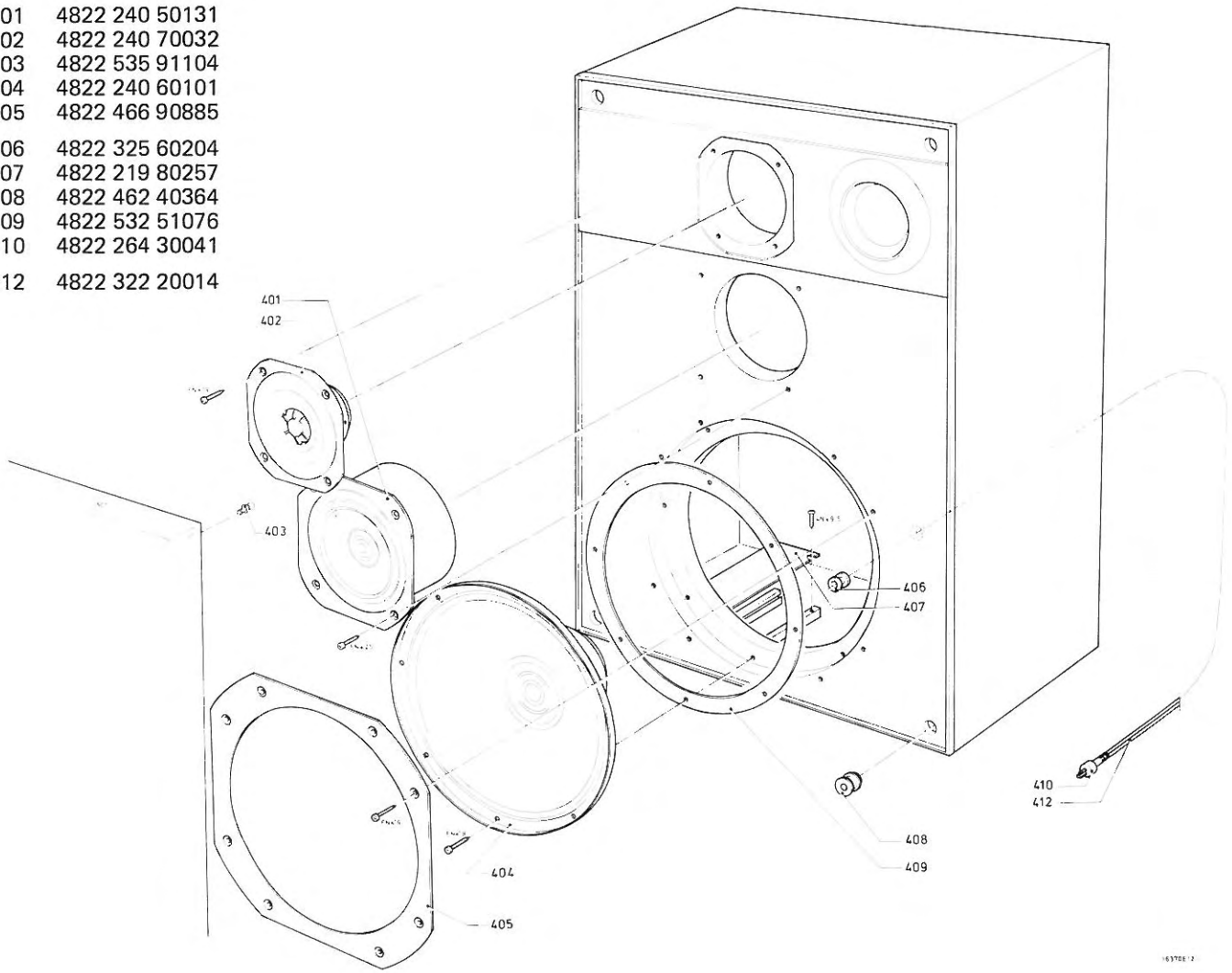
16369A12



16371C12

C726	22 μ F - 63 V	4822 124 20753
C727	15 μ F - 63 V	4822 124 20752
C728	1.5 μ F - 100 V	4822 121 40452
R729	3.3 Ω - 7 W	4822 113 80232
S426	3 mH	4822 156 20766
S427	1.2 mH	4822 152 20487
S428	0.8 mH	4822 157 50906
LS402	AD80652/W8	4822 240 60101
LS403	AD02111/SQ8	4822 240 50131
LS404	AD0144/T15	4822 240 70032

- 401 4822 240 50131
- 402 4822 240 70032
- 403 4822 535 91104
- 404 4822 240 60101
- 405 4822 466 90885
- 406 4822 325 60204
- 407 4822 219 80257
- 408 4822 462 40364
- 409 4822 532 51076
- 410 4822 264 30041
- 412 4822 322 20014



16368A12

Service
Service
Service

Information

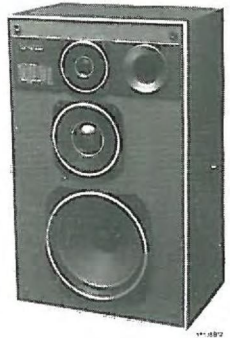
1979-07-05

22AH489/00

A79-223

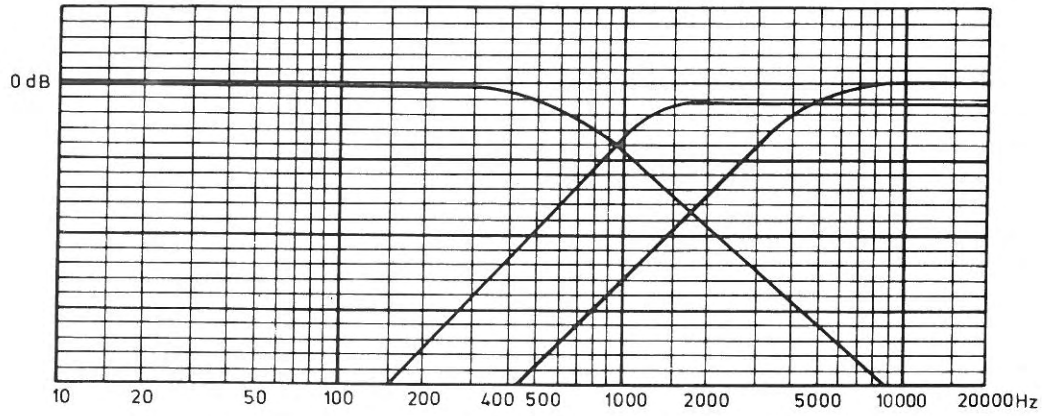
For reasons of production the woofer AD80652/W8,
code number 4822 240 60101, has been changed into
woofer AD80651/W8, code number 4822 240 60099.

Service
Service
Service

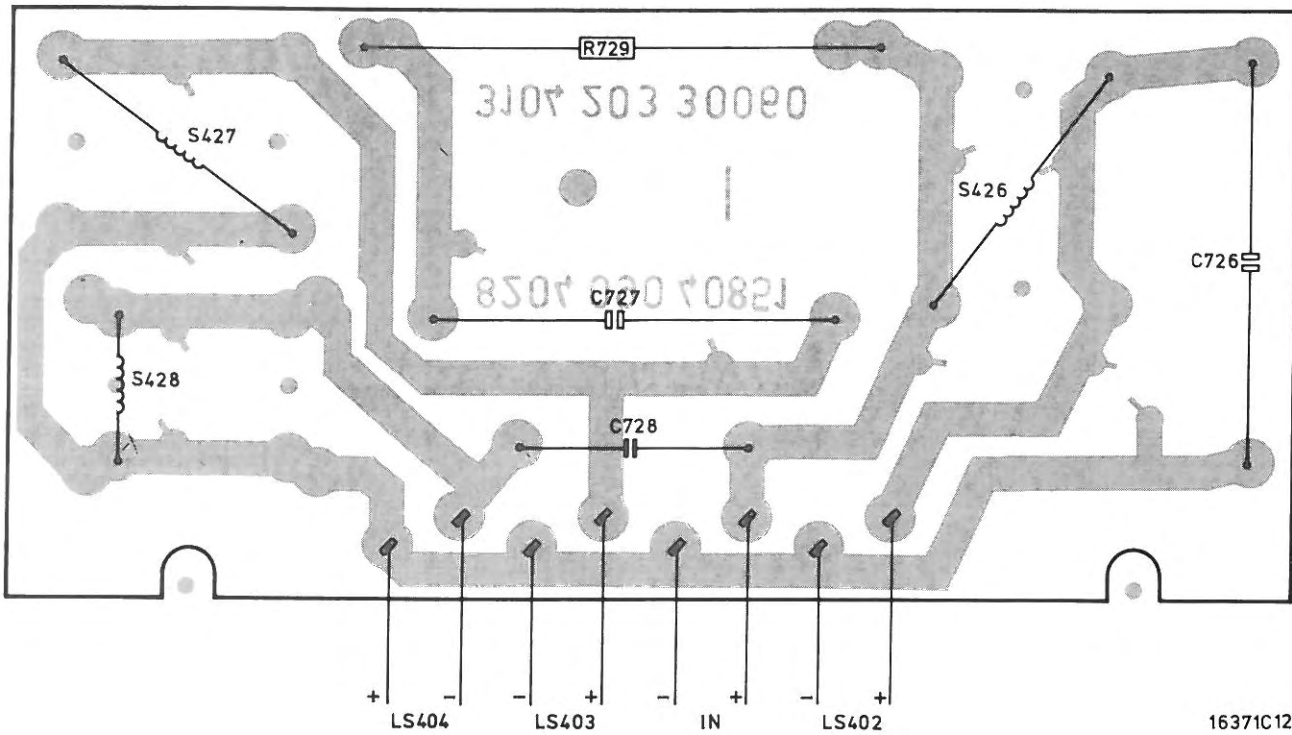


Service Manual

Volume Volume	32 L
Dimensions Dimensions	355x560x225 mm
Weight Poids	11 kg
Rated impedance Impédance nominale	4 Ω
Power handling capacity Capacité de charge	60 W
Cross-over frequencies Fréquences de convergence	1000/6000 Hz
Resonance frequency Fréquence de résonance	16-65 Hz
Frequency range Réponse de fréquence	35-20.000 Hz
Slope: High-pass Band-pass Low-pass Pente: Passe-haut Passe-bande Passe-bas	12 dB/oct.



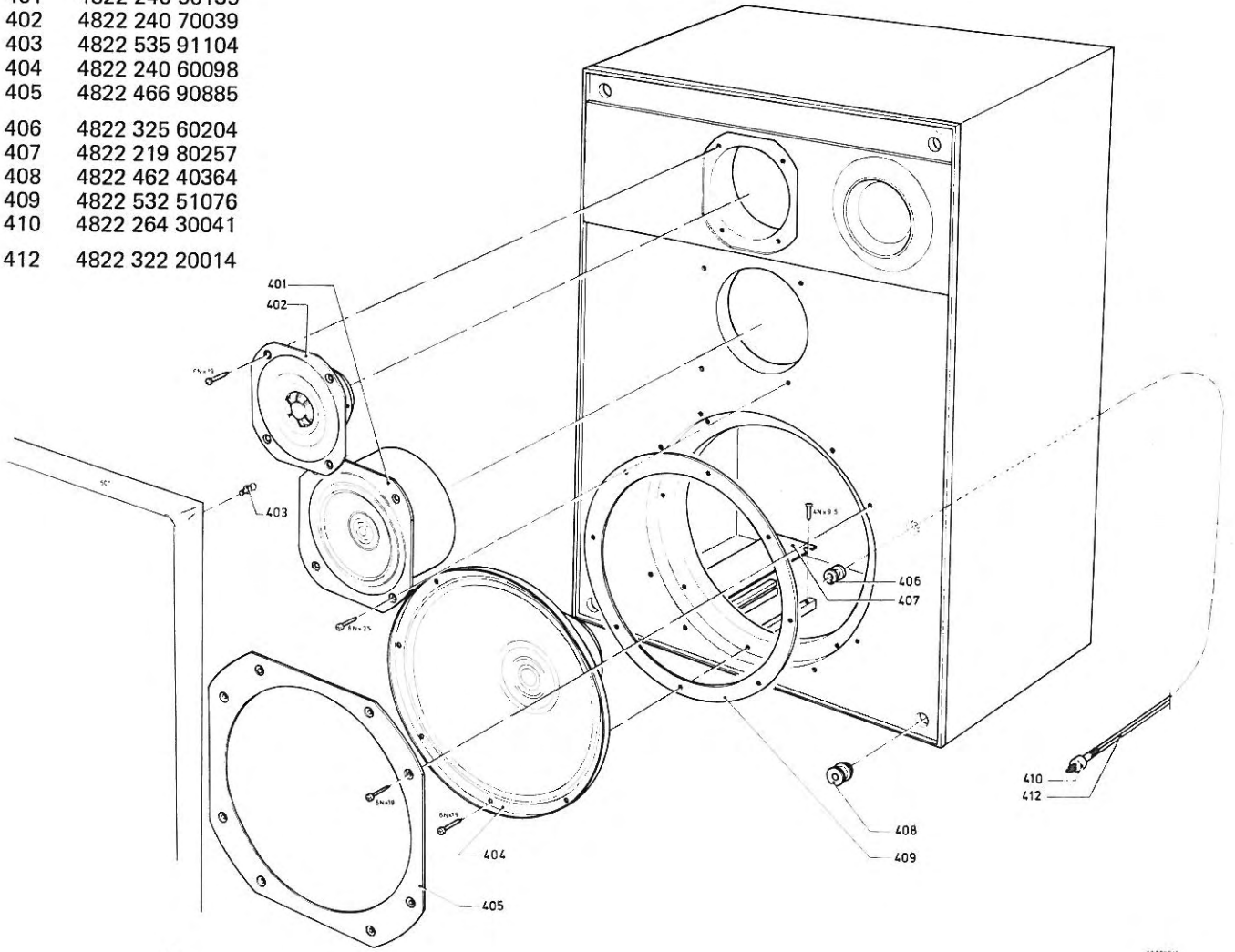
16369A12



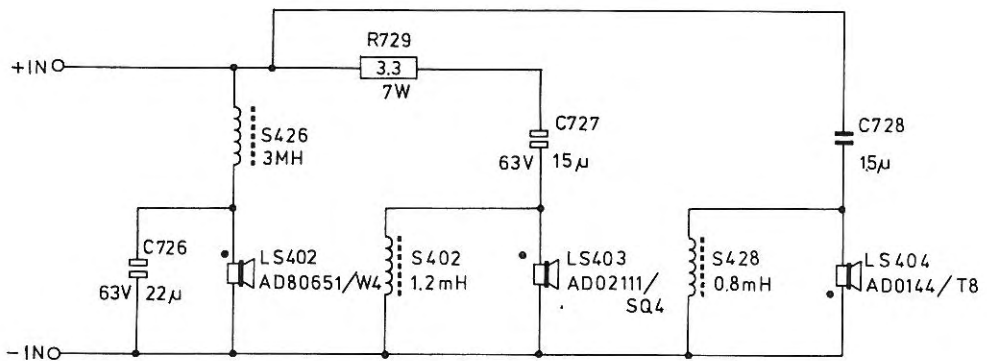
16371C12

C726	22 μ F - 63 V	4822 124 20753
C727	15 μ F - 63 V	4822 124 20752
C728	1.5 μ F - 100 V	4822 121 40452
R729	3.3 Ω - 7 W	4822 113 80232
S426	3 mH	4822 156 20766
S427	1.2 mH	4822 152 20487
S428	0.8 mH	4822 157 50906
LS402	AD80651/W4	4822 240 60098
LS403	AD02111/SQ4	4822 240 50135
LS404	AD0144/T8	4822 240 70039

- 401 4822 240 50135
- 402 4822 240 70039
- 403 4822 535 91104
- 404 4822 240 60098
- 405 4822 466 90885
- 406 4822 325 60204
- 407 4822 219 80257
- 408 4822 462 40364
- 409 4822 532 51076
- 410 4822 264 30041
- 412 4822 322 20014



18370E12



17307A2